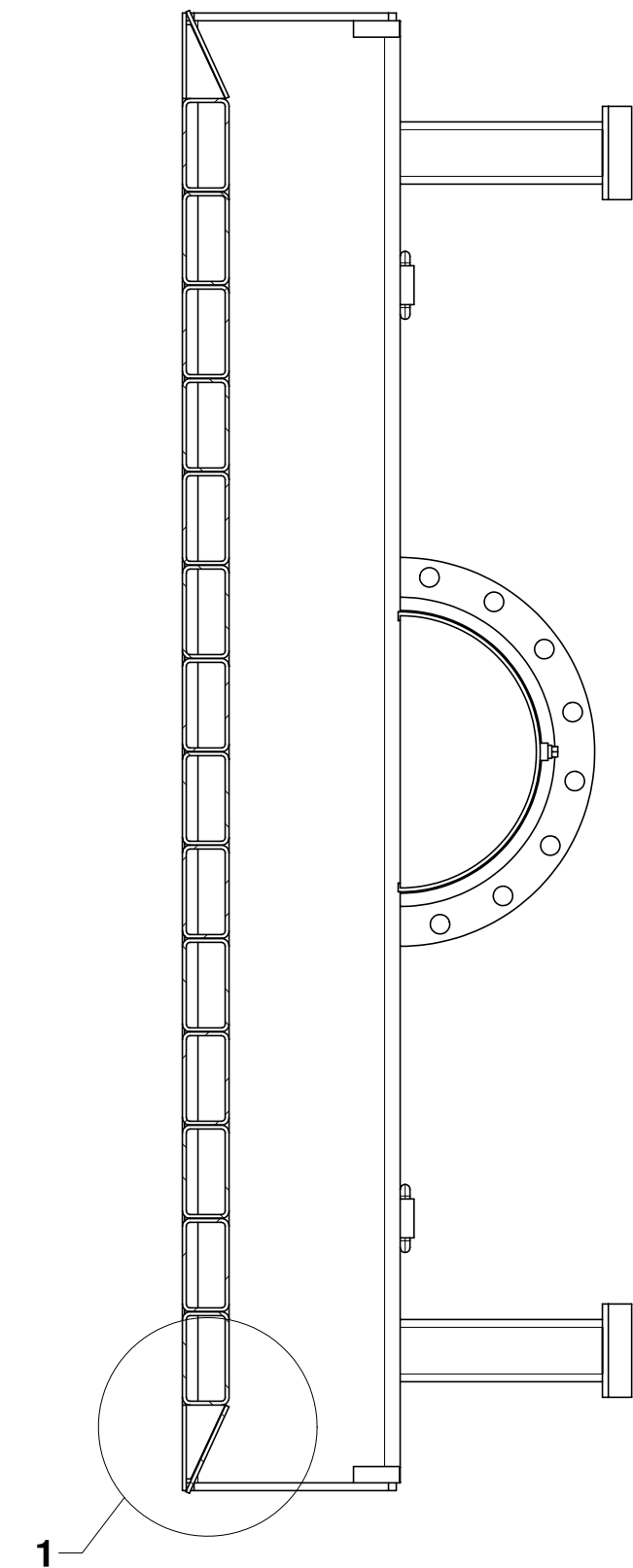
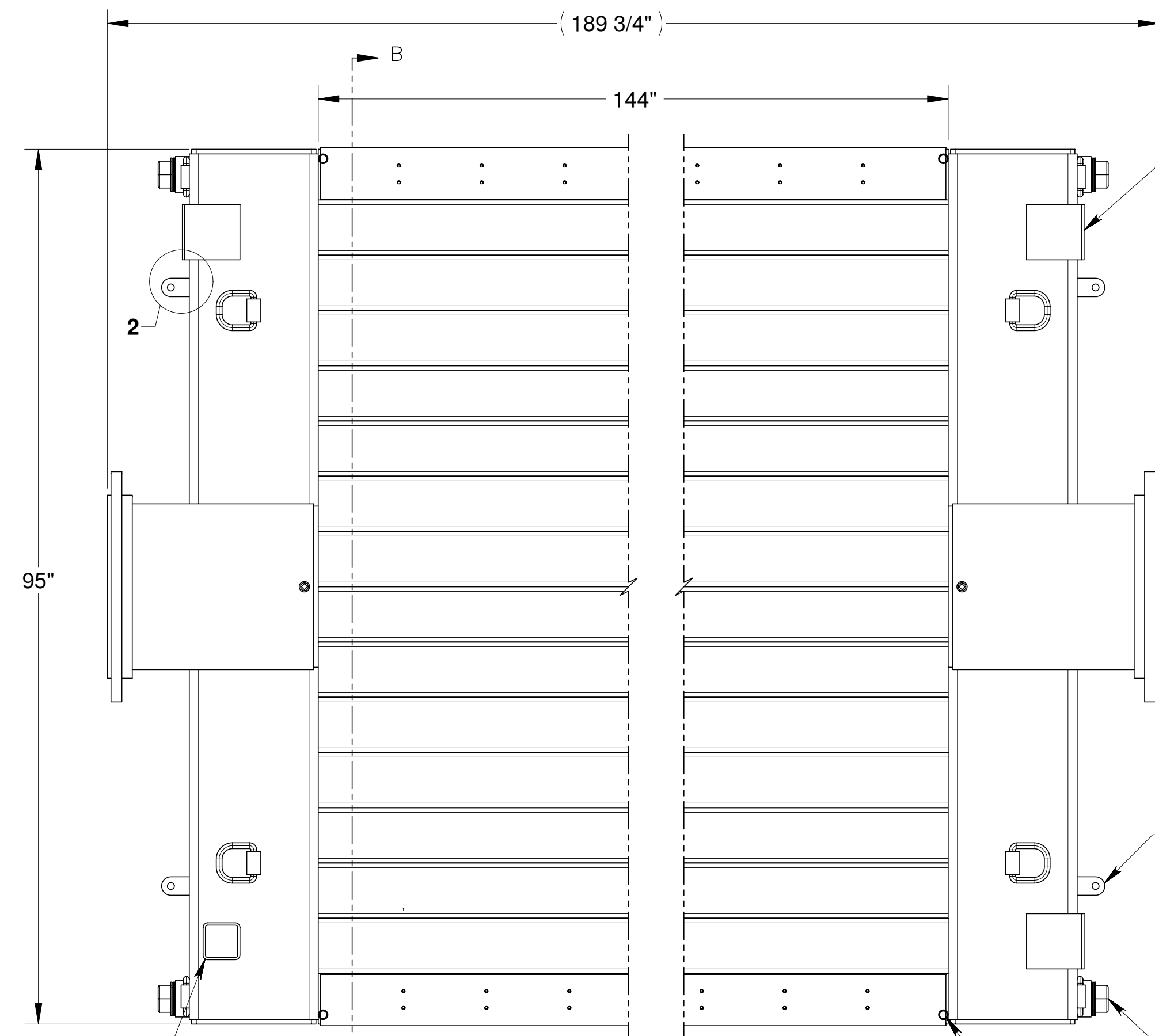


DETAIL 2
SCALE 1 : 4
4 PLACES



SECTION B-B



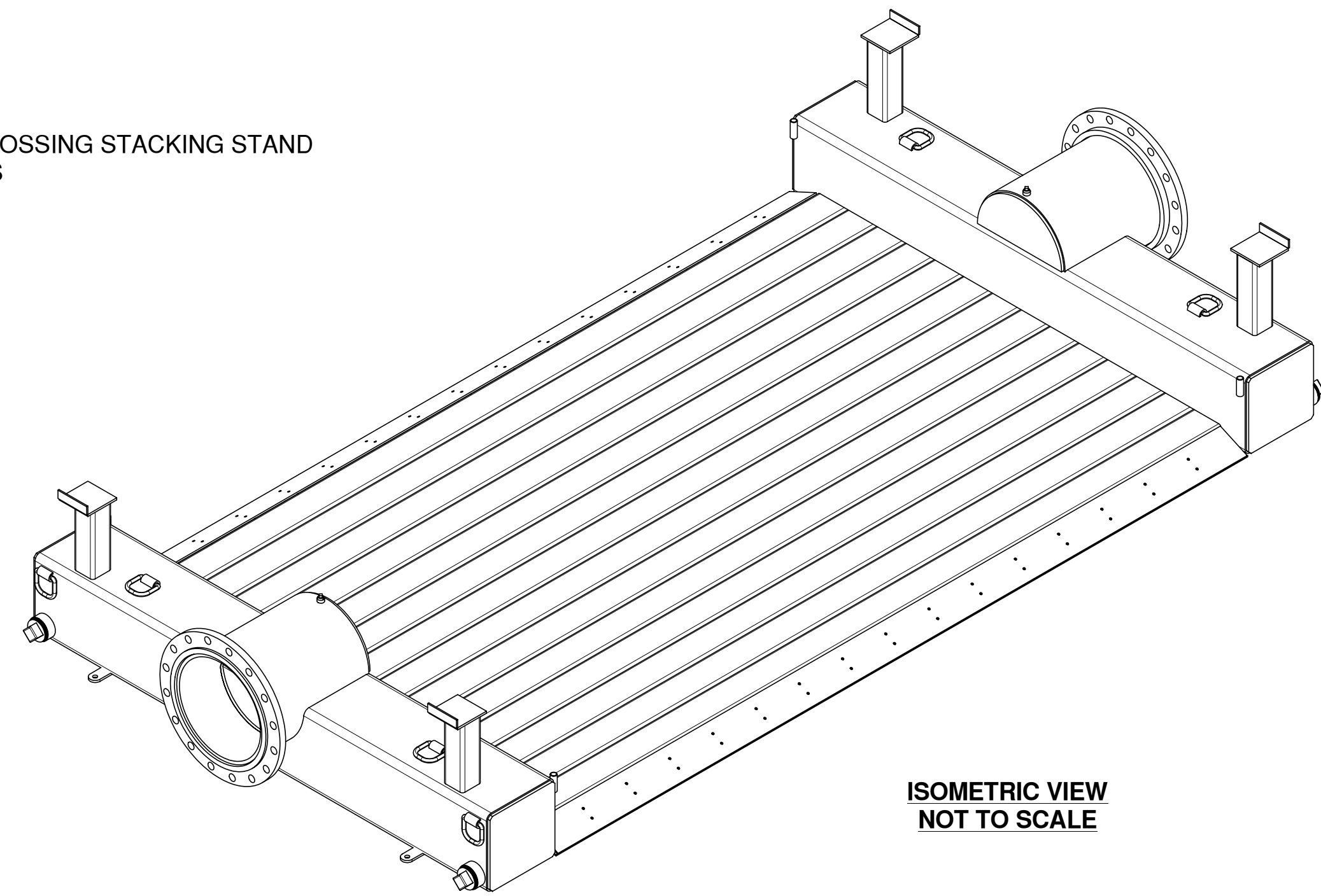
ROAD CROSSING STACKING STAND
4 PLACES

ROAD WAY
NAIL/TIE DOWN
4 PLACES

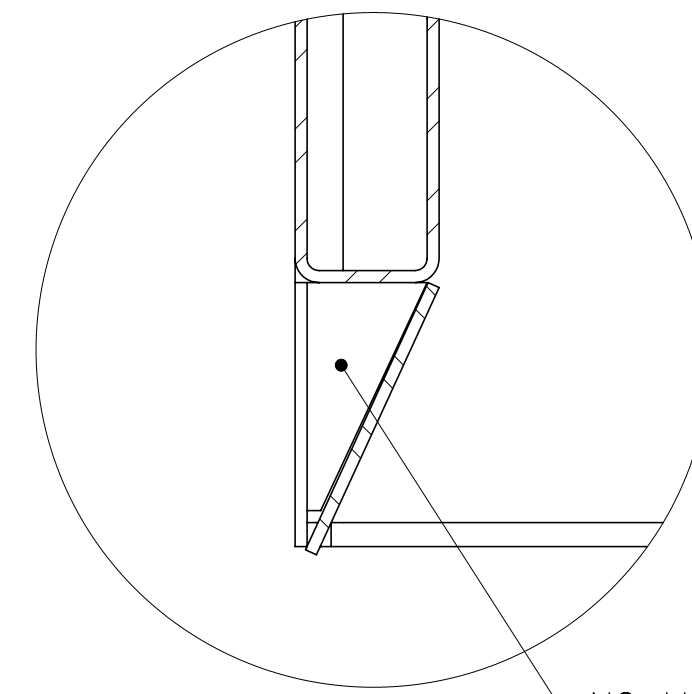
3" CLEAN OUT PORT
4 PLACES

SAFETY FLAG MOUNTS,
(NOTE 6), 4 PLACES

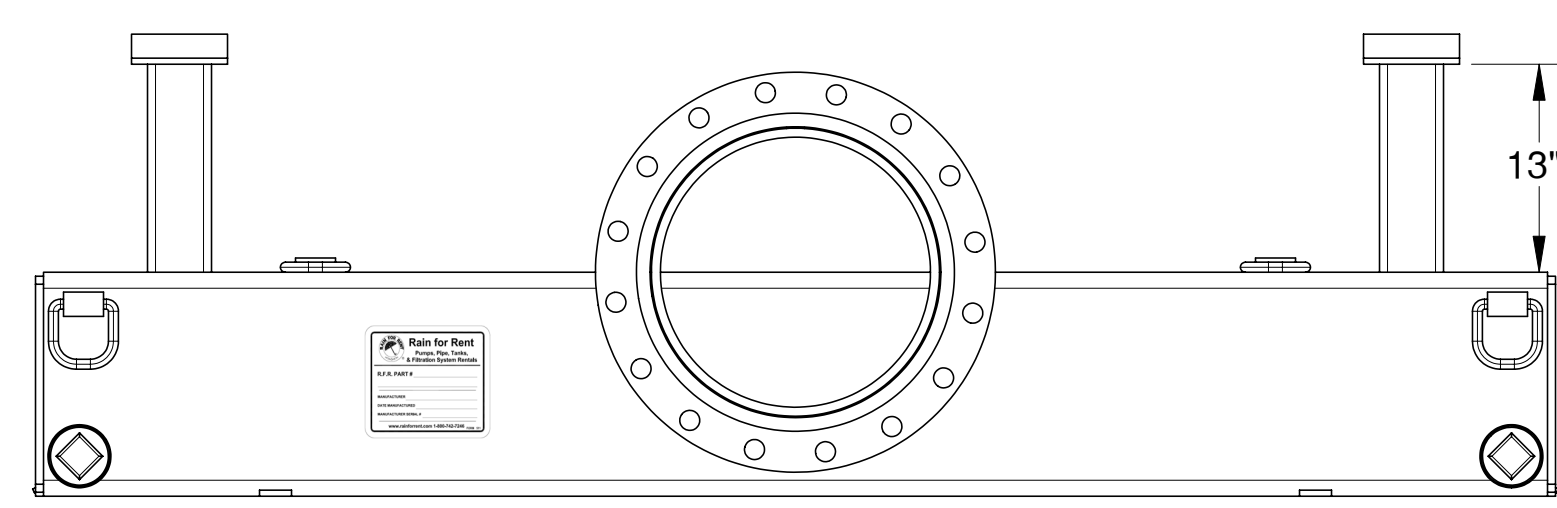
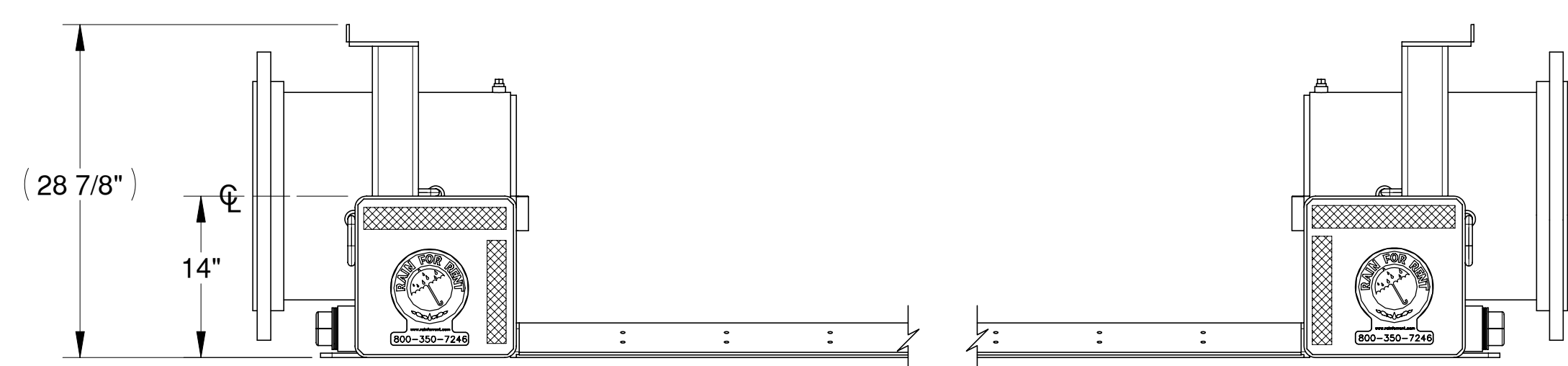
TOP PLATE NOT SHOWN
FOR CLARITY



ISOMETRIC VIEW
NOT TO SCALE



DETAIL 1
SCALE 1 : 4
ANGLE/FLAT BAR WELDMENT



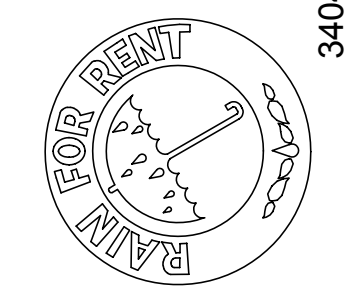
UNLESS OTHERWISE SPECIFIED
INTERPRET PER ASME Y14.24
AND Y14.34/35
ALL DIMENSIONS ARE IN INCHES
ALL DIMENSIONS BEFORE PLATING
MACHINED FILLET RADIUS TO BE .020
SHEET SCALE IS AS LISTED IN TITLE
BLOCK UNLESS SPECIFIED
OTHERWISE

FRACTIONAL: 1/8
DECIMALS: .010
.030
.050
.100
ANGLES: .01° .30°

18" X 12' ROAD CROSSING

SALES / REFERENCE DRAWING

Rain For Rent
Engineering



3404 State Road PO Box 2248 Bakersfield CA 93303

ALL INFORMATION CONTAINED IN OR
DISCLOSED BY THIS DOCUMENT IS
CONSIDERED CONFIDENTIAL AND
PROPRIETARY BY RAIN FOR RENT
ALL DISCLOSURES OF DESIGN IN-
FORMATION AND REPRODUCTION OF
THIS DOCUMENT AND ALL SALES
RIGHTS ARE EXCLUSIVELY RESER-
VED BY AND TO RAIN FOR RENT
AND COMMUNICATION OF THIS IN-
FORMATION TO OTHERS IS PRO-
HIBITED WITHOUT THE PRIOR WRIT-
TEN CONSENT OF RAIN FOR RENT.

- NOTE:**
1. GALVANIZED IN ACCORDANCE WITH ASTM A 384 & A 385 STANDARDS.
 2. WORKING PRESSURE 65-PSI MAX.
 3. MOUNTING POINTS FOR STANDARD SAFETY WARNING FLAGS, (GRAINGER ITEM #4A415, 18" X 18" RED/ORANGE WITH 3/4" DIAMETER DOWEL OR EQUIVALENT), (SUPPLY WITH ROAD CROSSING)
 4. STAMP APPROXIMATE WEIGHT - 4,700 LBS. EMPTY.

DATE	SCALE
6/30/04	1:12
DESIGNED BY	K.KROSS
CHECKED BY	K.KROSS
DRAWN BY	M.STEVENSON
JOB NUMBER	1021213
DRAWING NUMBER	105051~1
SHEET	1 OF 1
SHT SIZE	D
REV NO	

REV.NO.	DESCRIPTION	PREV.DWG	BY	DATE