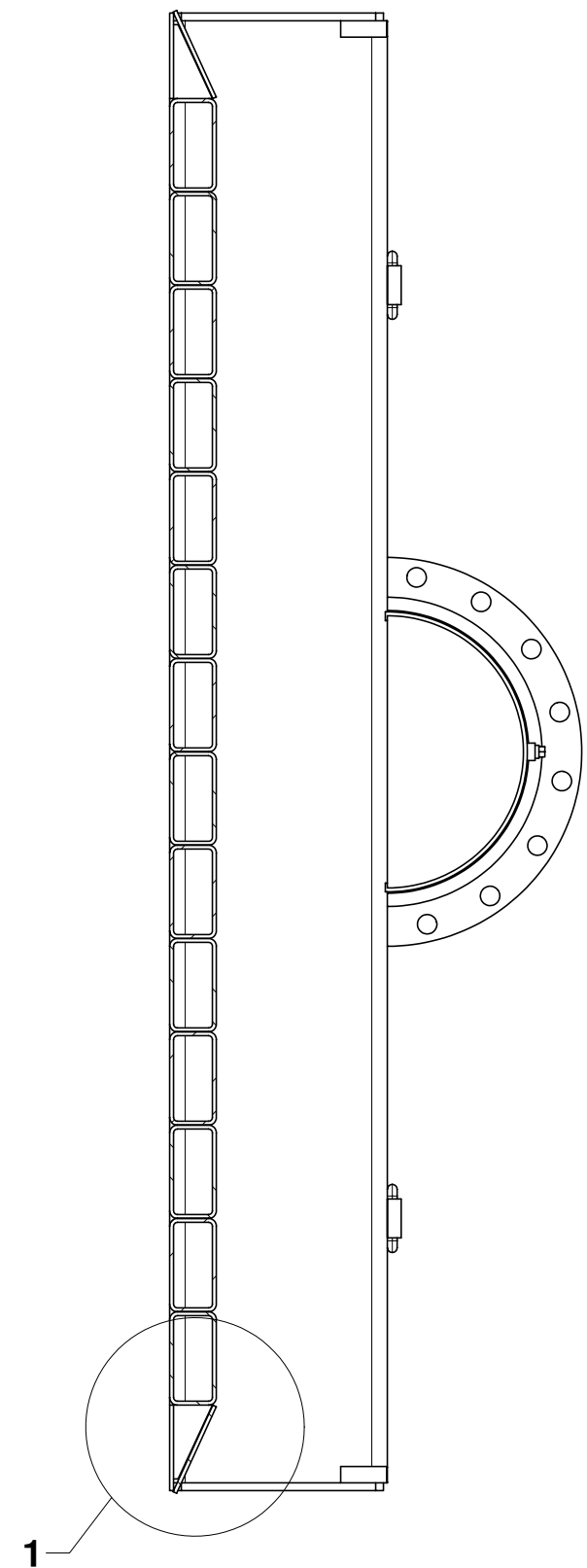
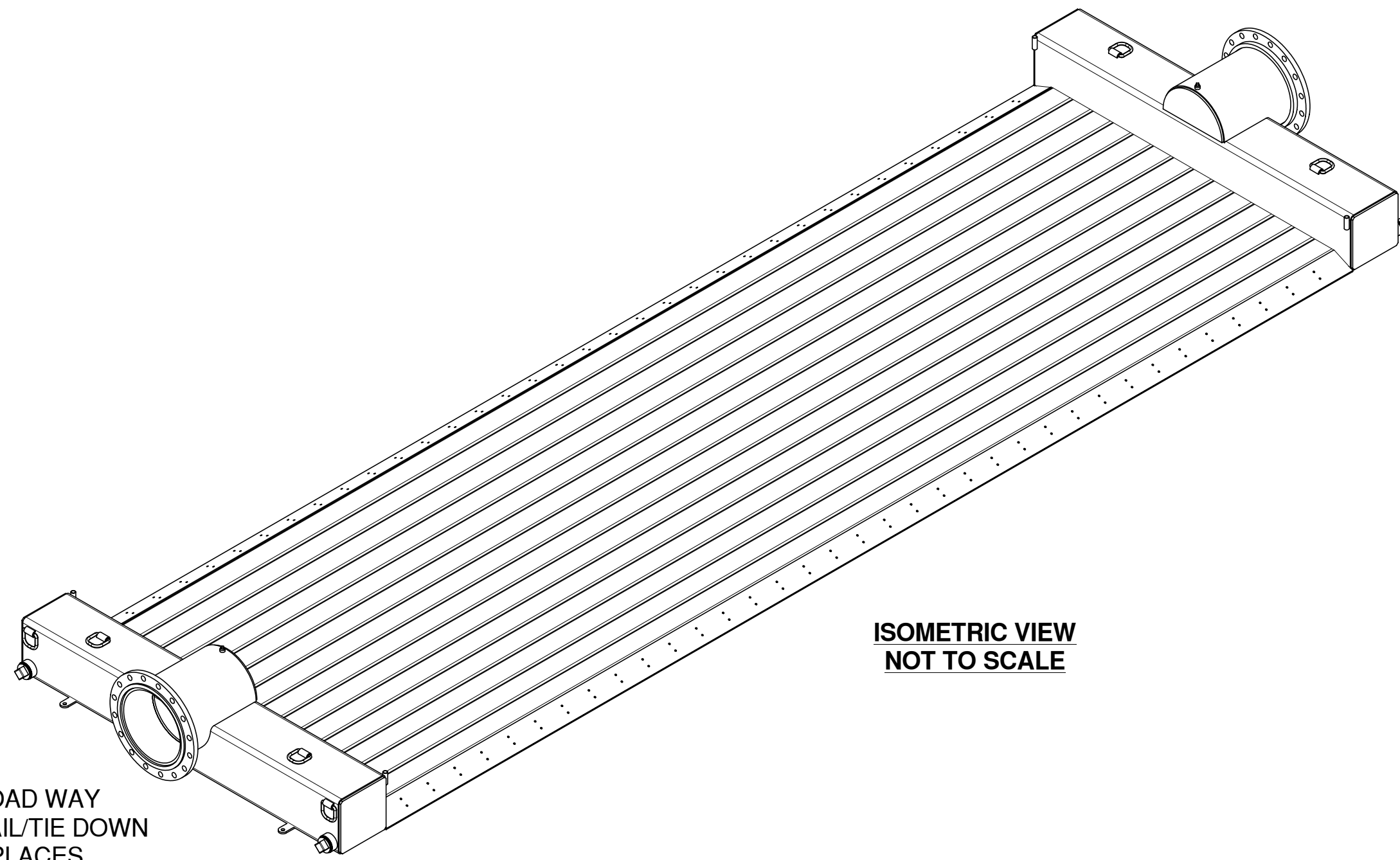
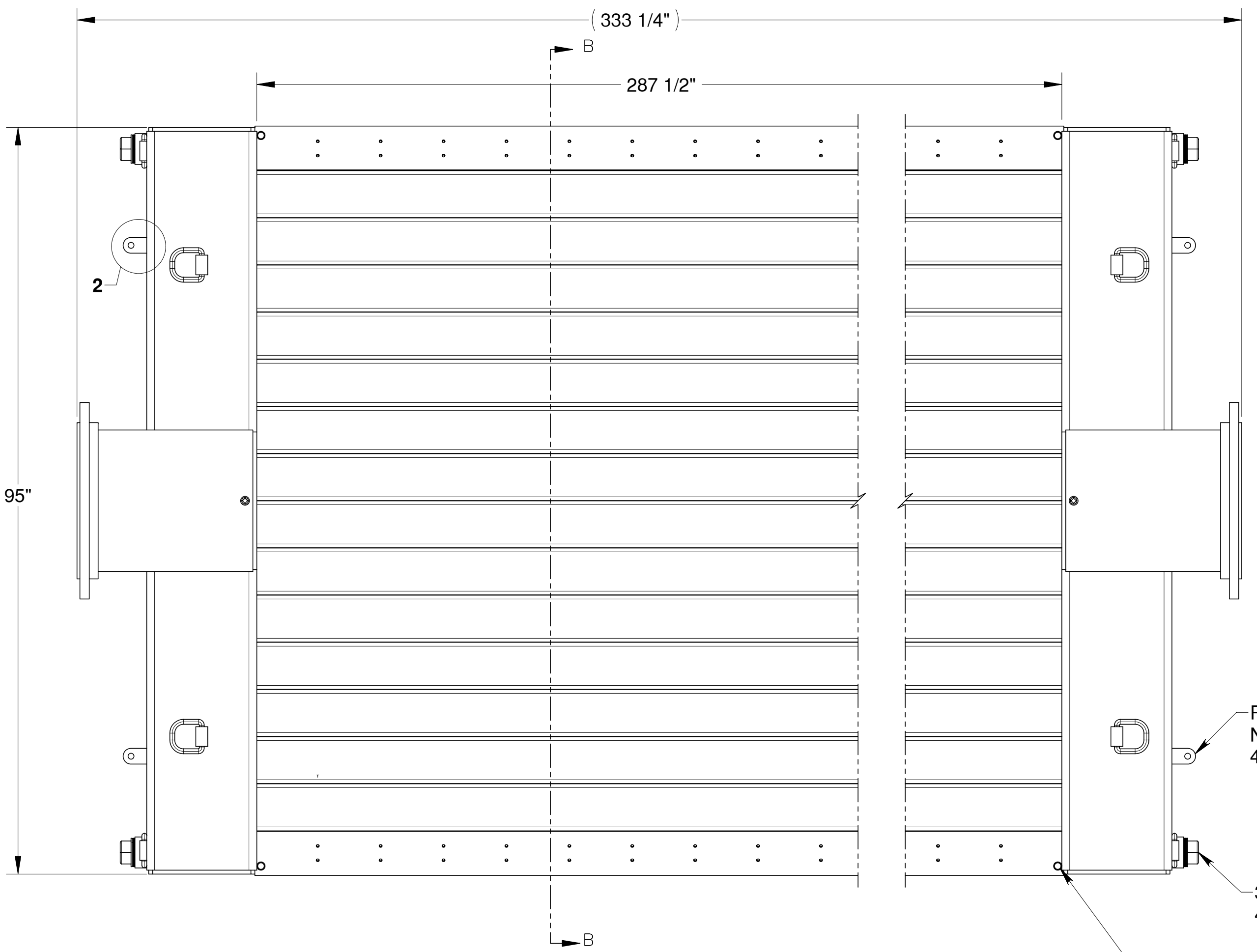


DETAIL 2
SCALE 1 : 4
4 PLACES



SECTION B-B

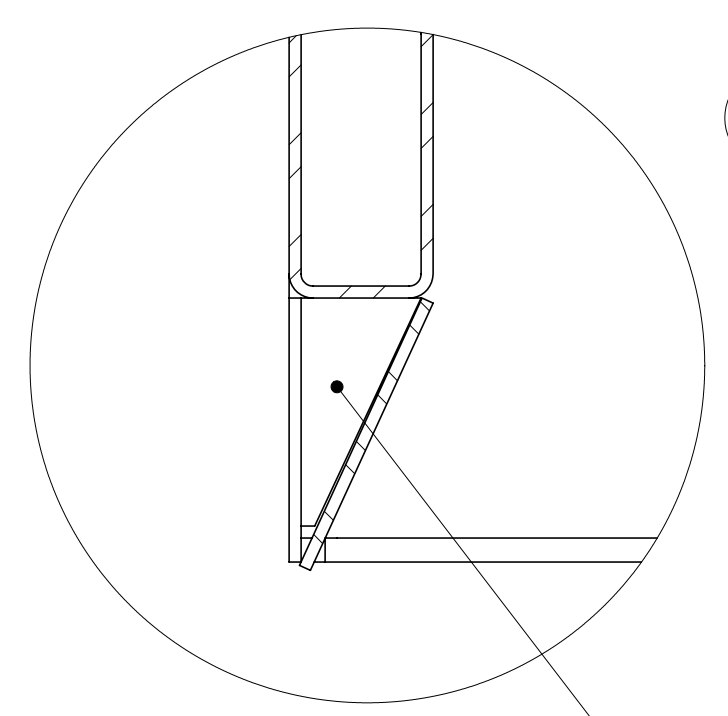


ISOMETRIC VIEW
NOT TO SCALE

ROAD WAY
NAIL/TIE DOWN
4 PLACES

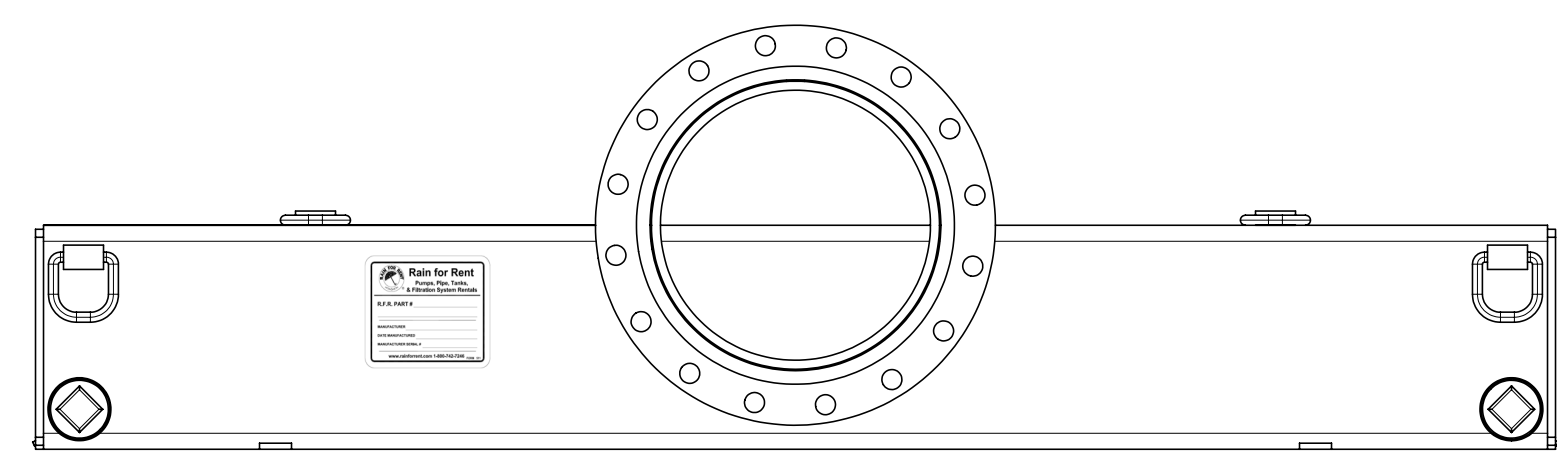
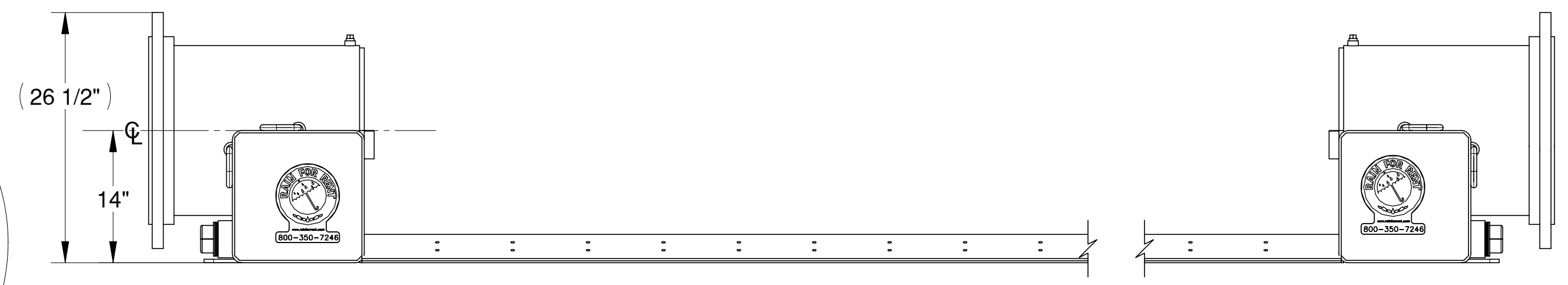
3" CLEAN OUT PORT
4 PLACES

SAFETY FLAG MOUNTS,
(NOTE 6), 4 PLACES



DETAIL 1
SCALE 1 : 4
ANGLE/FLAT BAR WELDMENT

NO LIQUID
PASSES THROUGH
ANGLED PART



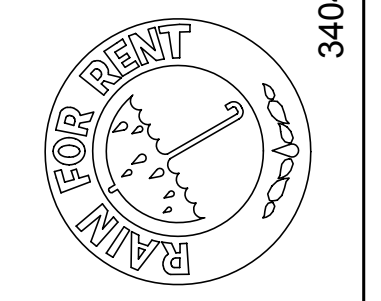
- NOTE:**
1. GALVANIZED IN ACCORDANCE WITH ASTM A 384 & A 385 STANDARDS.
 2. WORKING PRESSURE 65-PSI MAX.
 3. MOUNTING POINTS FOR STANDARD SAFETY WARNING FLAGS, (GRAINGER ITEM #4A415, 18" X 18" RED/ORANGE WITH 3/4" DIAMETER DOWEL OR EQUIVALENT), (SUPPLIED WITH ROAD CROSSING)
 4. STAMP APPROXIMATE WEIGHT -7,200LBS. EMPTY.

UNLESS OTHERWISE SPECIFIED
INTERPRET PER ASME Y14.24
AND Y14.34/35
ALL DIMENSIONS ARE IN INCHES
UNLESS OTHERWISE SPECIFIED
MACHINED FITS AS LISTED IN TITLE
BLOCK UNLESS SPECIFIED
OTHERWISE

FRACTIONAL: ±1/8
DECIMALS: ±.010
±.030
±.100
ANGLES: ±0° .30'

**18" ROAD CROSSING
BY 24' DRIVE AREA**
SALES / REFERENCE DRAWING

**Rain For Rent
Engineering**



3404 State Road PO Box 2248 Bakersfield CA 93303

ALL INFORMATION CONTAINED IN OR
DISCLOSED BY THIS DOCUMENT IS
CONSIDERED CONFIDENTIAL AND
PROPRIETARY BY RAIN FOR RENT
ALL DISCLOSURES OF DESIGN IN-
FORMATION AND REPRODUCTION OF
THIS DOCUMENT AND ALL SALES
RIGHTS ARE EXCLUSIVELY RESER-
VED BY AND TO RAIN FOR RENT
AND COMMUNICATION OF THIS IN-
FORMATION TO OTHERS IS PRO-
HIBITED WITHOUT THE PRIOR WRIT-
TEN CONSENT OF RAIN FOR RENT.

DATE	SCALE
6/23/05	1:12
DESIGNED BY	K.KROSS
CHECKED BY	K.KROSS
DRAWN BY	M.STEVENSON
JOB NUMBER	1021213
DRAWING NUMBER	105051~1_2
SHEET	1 OF 1
D	D

REV.NO.	DESCRIPTION	PREV.DWG	BY	DATE