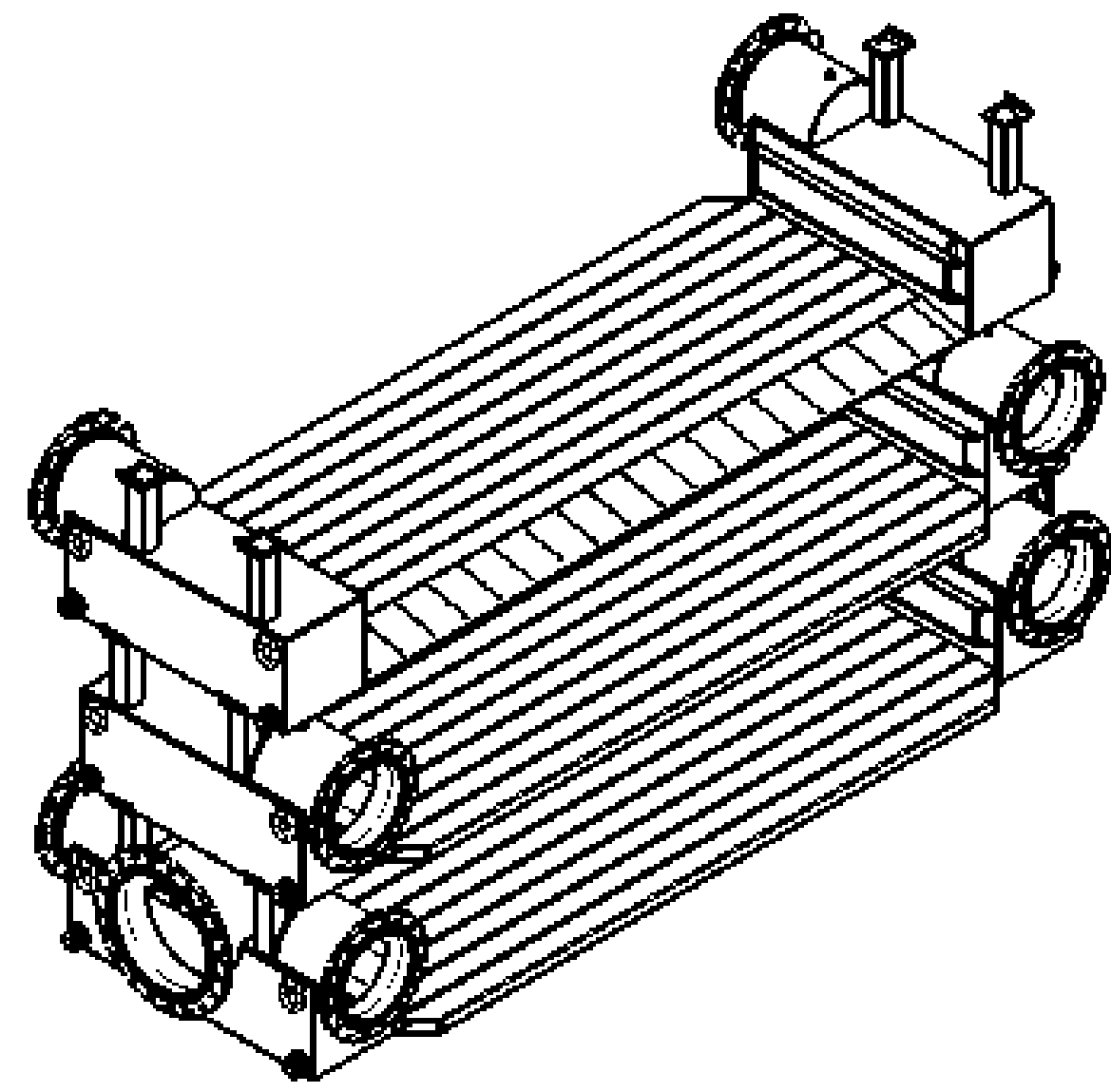
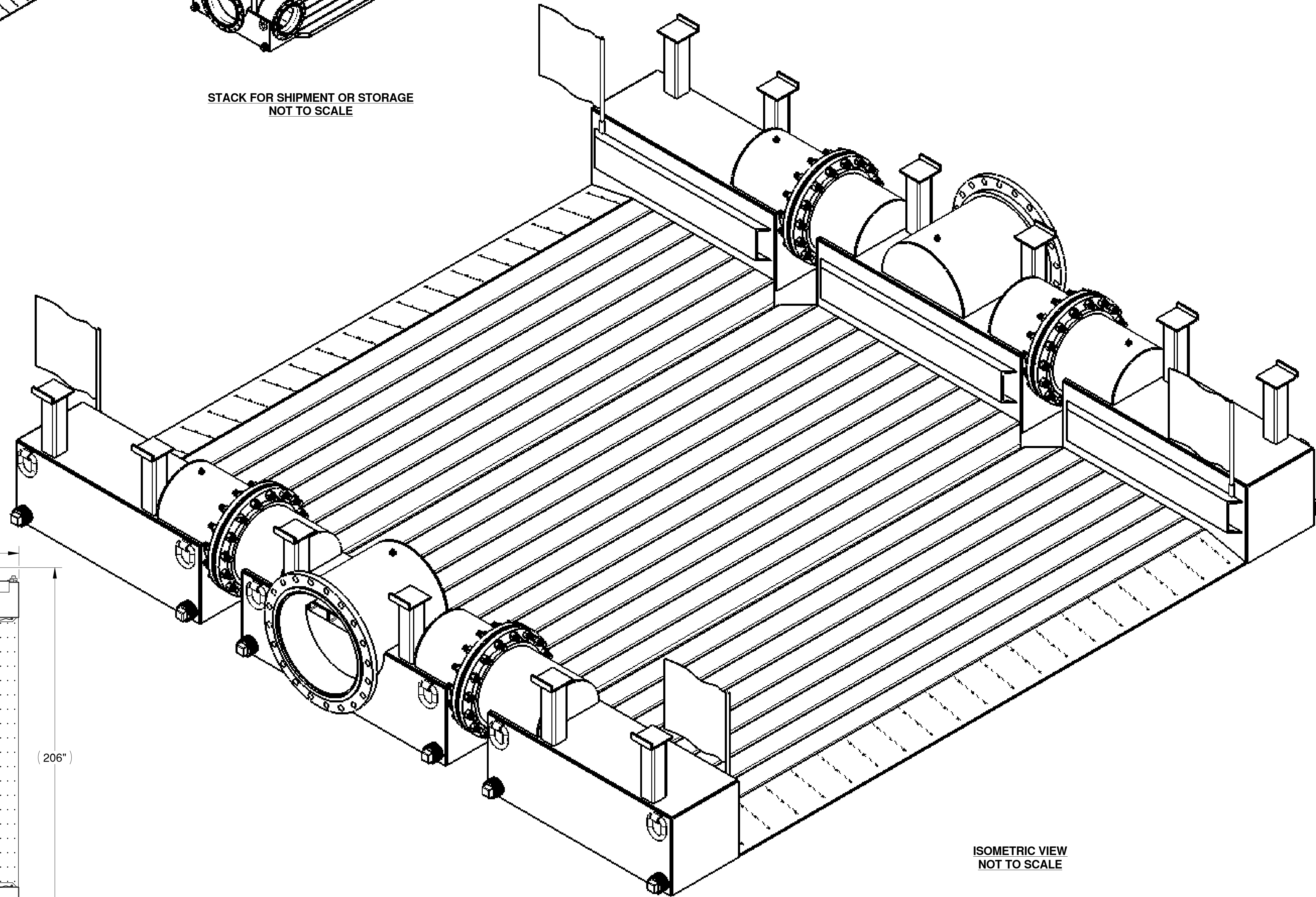


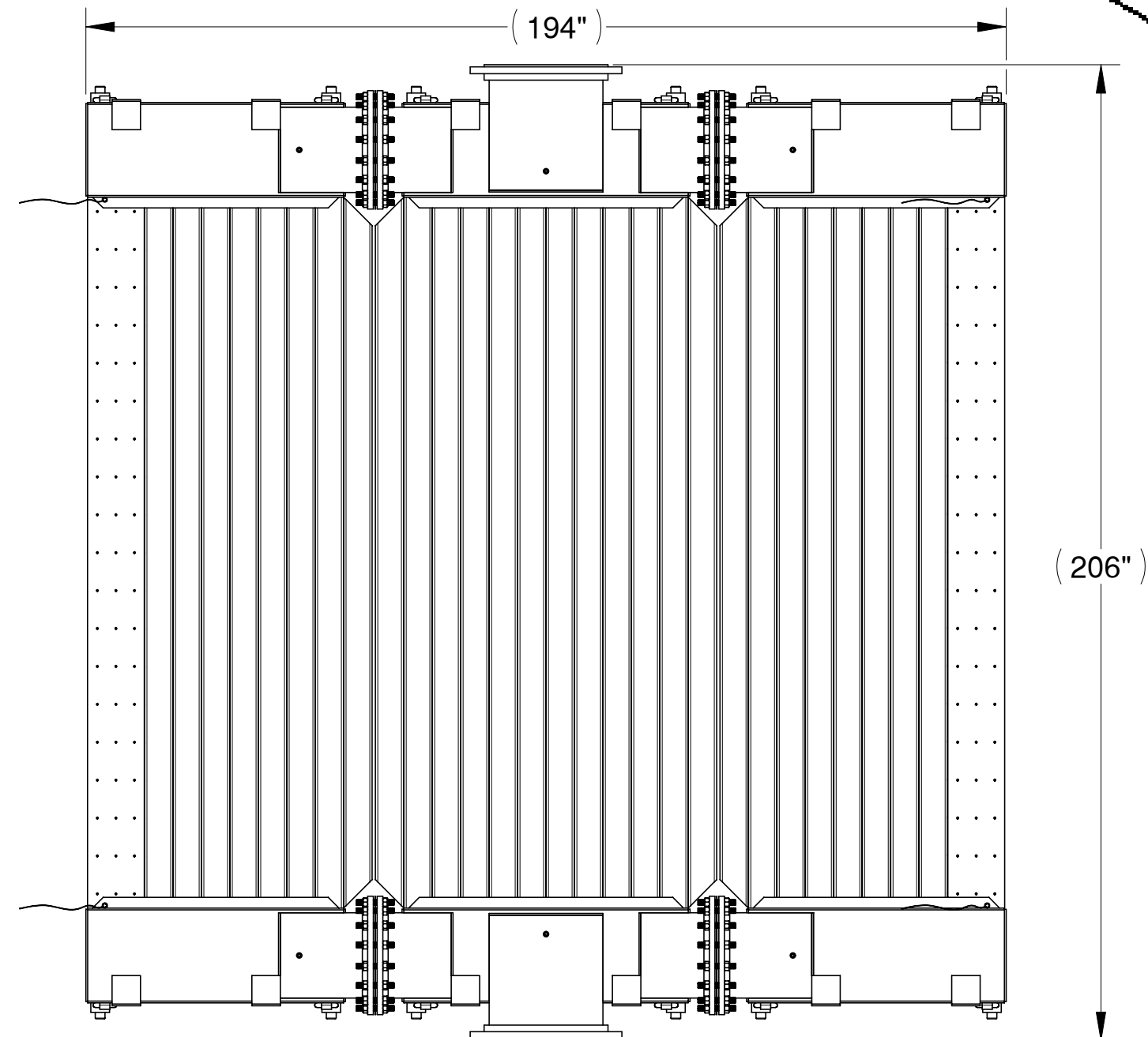
CONSTRUCTION SITE STORAGE  
NOT TO SCALE



STACK FOR SHIPMENT OR STORAGE  
NOT TO SCALE



ISOMETRIC VIEW  
NOT TO SCALE



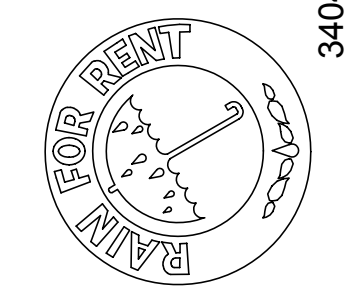
APPROXIMATE WEIGHT FULLY ASSEMBLED - 10,000 LBS.

REV. NO.	DESCRIPTION	PREV. DWG.	BY	DATE

UNLESS OTHERWISE SPECIFIED  
 INTERPRET PER ASME Y14.24  
 AND Y14.340, Y14.35M  
 ALL DIMENSIONS ARE IN INCHES  
 UNLESS OTHERWISE SPECIFIED  
 MACHINED FILLET RADIUS TO BE .020  
 SHEET SCALE IS AS LISTED IN TITLE  
 BLOCK UNLESS SPECIFIED  
 OTHERWISE  
 FRACTIONAL: 1/16  
 DECIMALS: .010  
 .XX = ±.030  
 .X = ±.100  
 ANGLES: ±0° .30'

**24" ROAD CROSSING**  
**12' WIDE CROSSING**

**Rain For Rent**  
 Engineering  
 3404 State Road PO Box 2248 Bakersfield CA 93303



ALL INFORMATION CONTAINED IN OR  
 DISCLOSED BY THIS DOCUMENT IS  
 CONSIDERED CONFIDENTIAL AND  
 PROPRIETARY BY RAIN FOR RENT  
 ALL DISCLOSURES OF DESIGN IN-  
 FORMATION AND REPRODUCTION OF  
 THIS DOCUMENT AND ALL SALES  
 RIGHTS ARE EXCLUSIVELY RESER-  
 VED BY AND TO RAIN FOR RENT  
 AND COMMUNICATION OF THIS IN-  
 FORMATION TO OTHERS IS PRO-  
 HIBITED WITHOUT THE PRIOR WRIT-  
 TEN CONSENT OF RAIN FOR RENT.

DATE: 3/5/2007 SCALE: 1:12  
 DESIGNED BY: M. STEVENSON  
 CHECKED BY: K. KROSS  
 DRAWN BY: S. HERNANDEZ  
 JOB NUMBER: 1061133  
 DRAWING NUMBER: 107655~1  
 SHEET: 1 of 1 SHT. SIZE: REV. NO. D