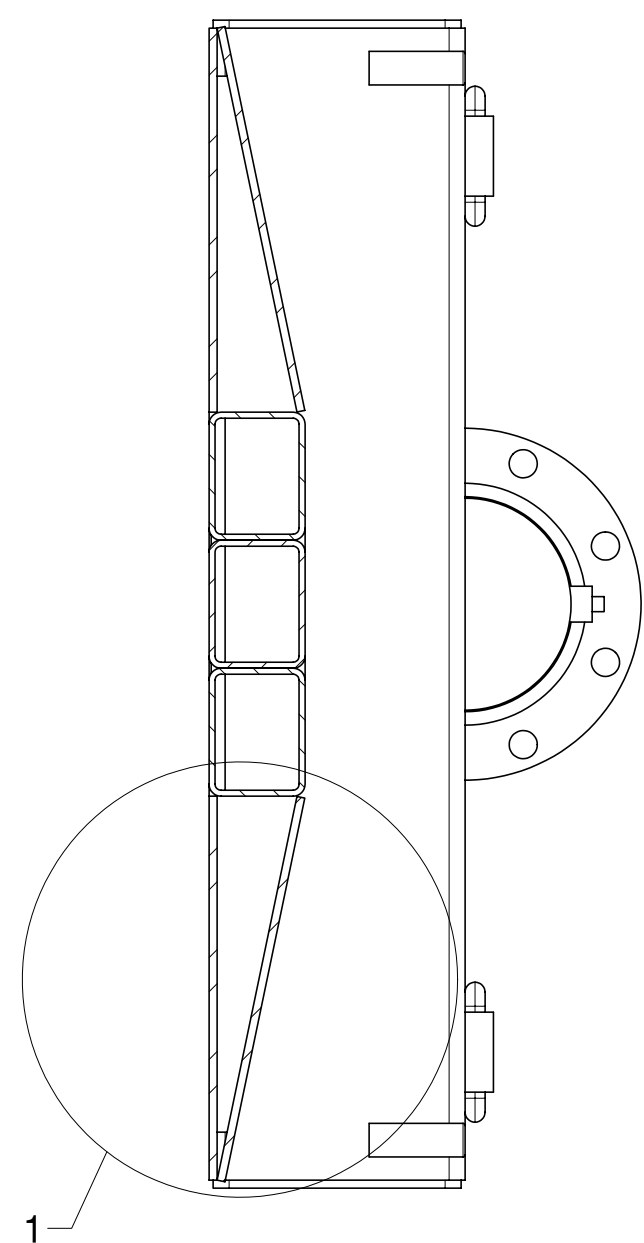
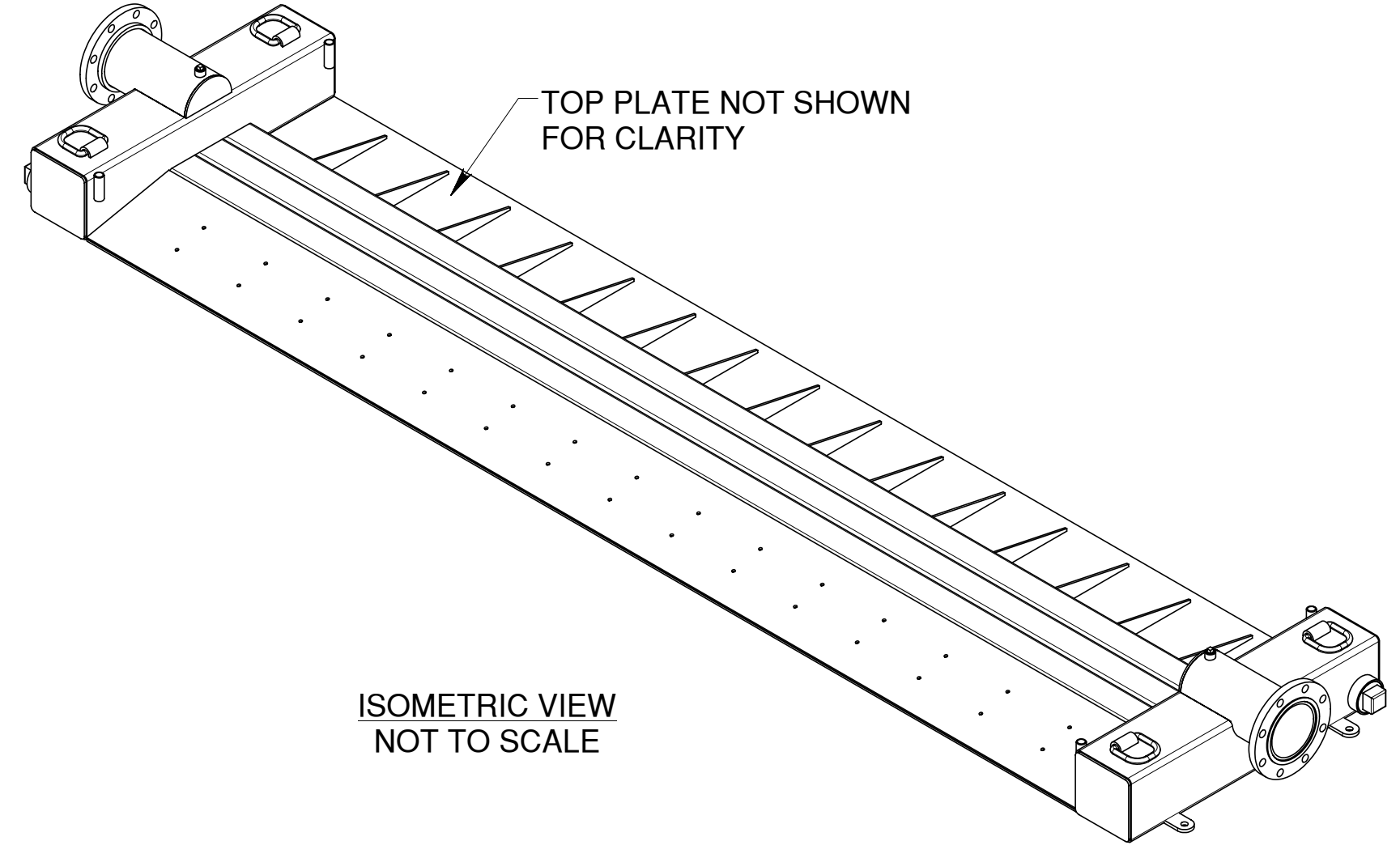
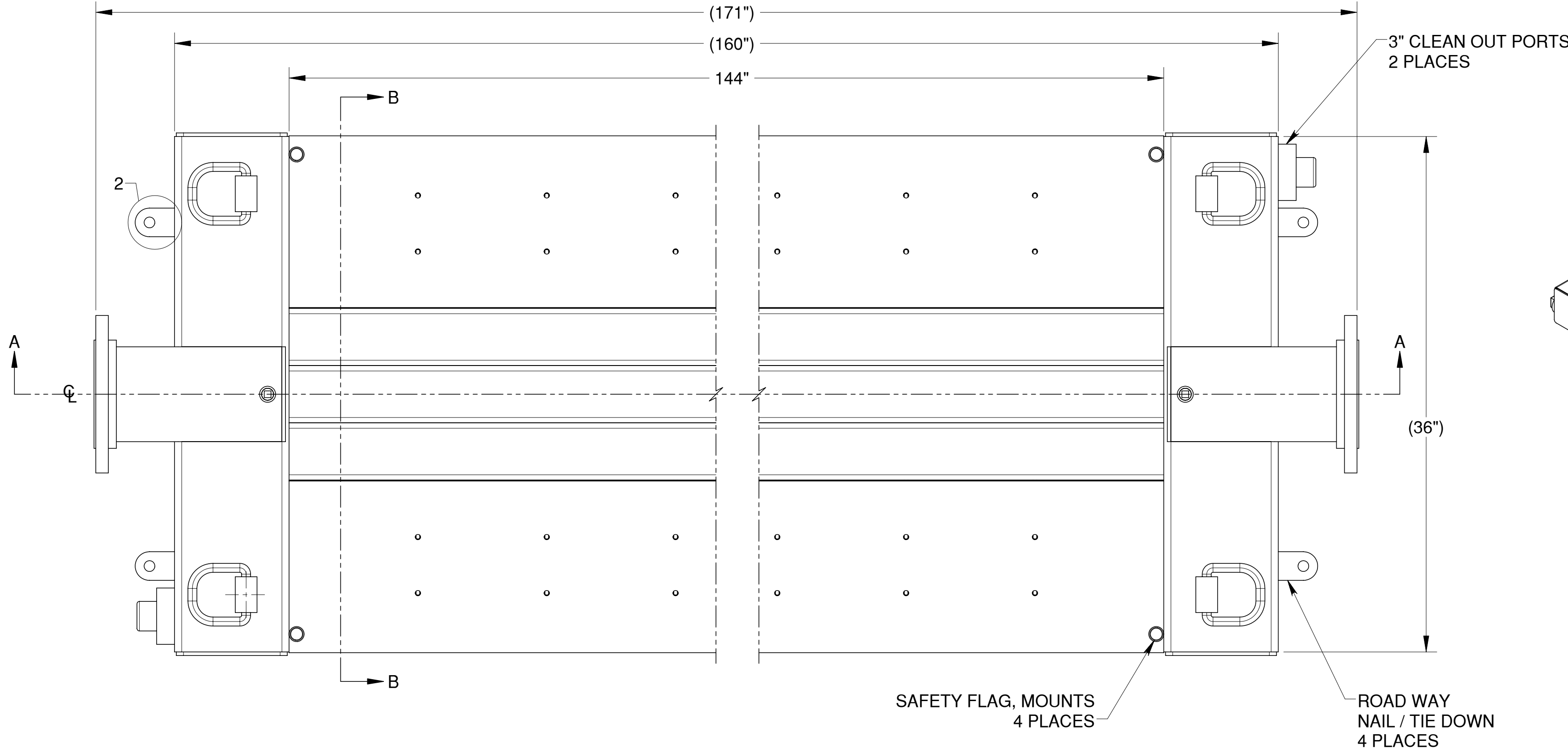


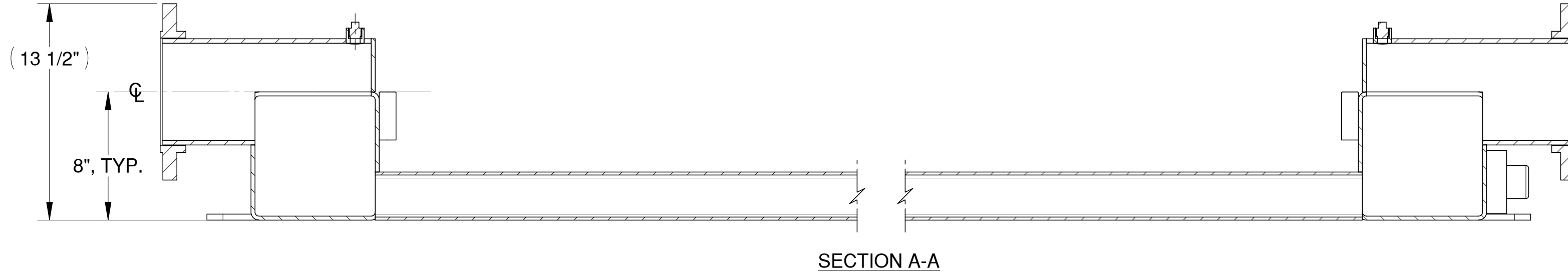
DETAIL 2  
SCALE 1 : 3



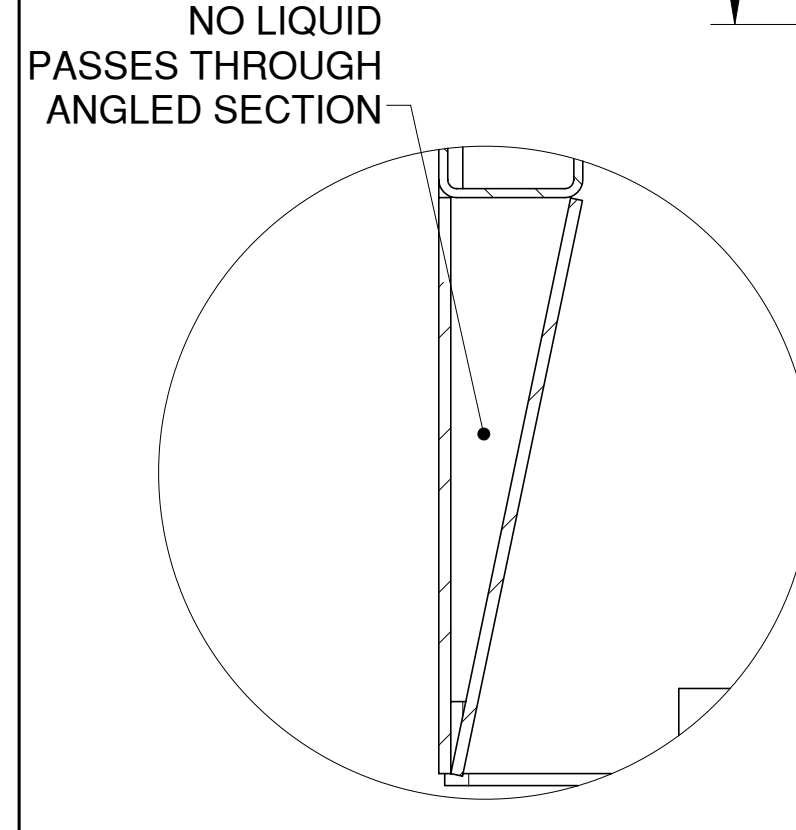
SECTION B-B



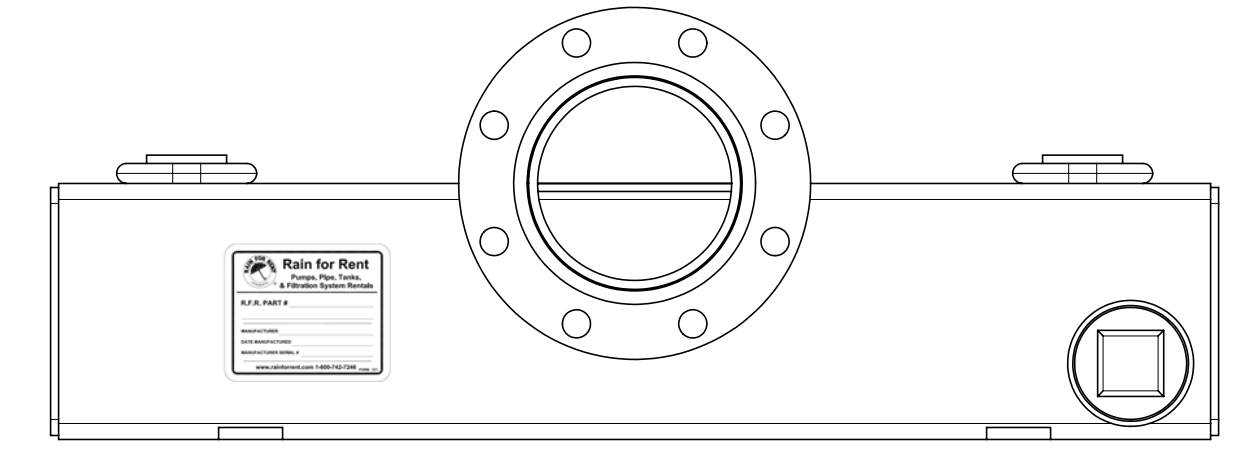
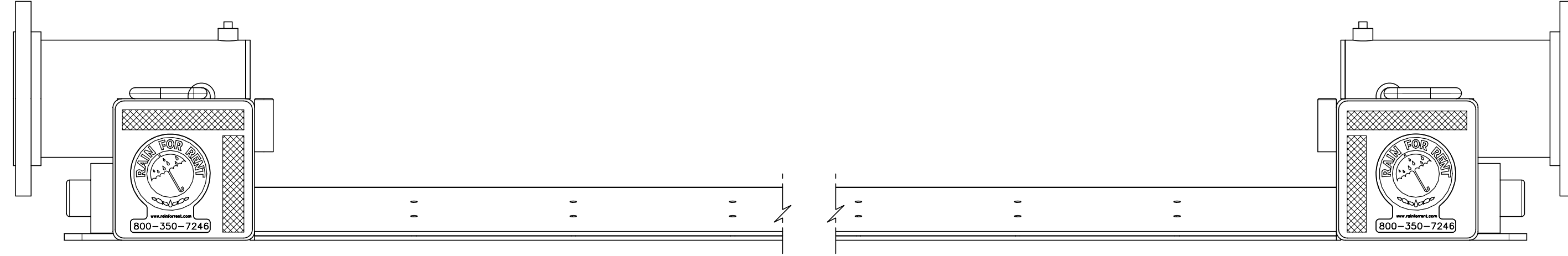
ISOMETRIC VIEW  
NOT TO SCALE



SECTION A-A



DETAIL 1  
SCALE 1 : 4

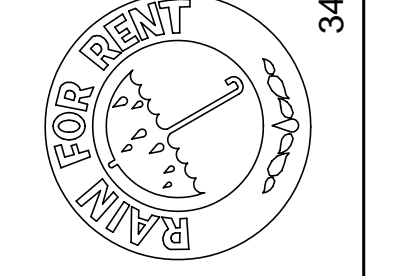


UNLESS OTHERWISE SPECIFIED  
INTERPRET PER ASME Y14.24  
AND Y14.34. Y14.35M  
ALL DIMENSIONS ARE IN INCHES  
BEFORE PLATING  
MACHINED FILLET RADIUS TO BE .020  
SHEET SCALE IS AS LISTED IN TITLE  
BLOCK UNLESS SPECIFIED  
OTHERWISE

FRACTIONAL: 1/16  
DECIMALS: .010  
.020  
.030  
.040  
ANGLES: .01° .30°

**6"x12' ROAD CROSSING  
W/ ENTRANCE / EXIT RAMPS**  
**SALES / REFERENCE DRAWING**

**Rain For Rent  
Engineering**  
3404 State Road PO Box 2248 Bakersfield CA 93303



ALL INFORMATION CONTAINED IN OR  
DISCLOSED BY THIS DOCUMENT IS  
CONSIDERED CONFIDENTIAL AND  
PROPRIETARY BY RAIN FOR RENT  
ALL DISCLOSURES OF DESIGN IN-  
FORMATION AND REPRODUCTION OF  
THIS DOCUMENT AND ALL SALES  
RIGHTS ARE EXCLUSIVELY RESER-  
VED BY AND TO RAIN FOR RENT  
AND COMMUNICATION OF THIS IN-  
FORMATION TO OTHERS IS PRO-  
HIBITED WITHOUT THE PRIOR WRIT-  
TEN CONSENT OF RAIN FOR RENT.

- NOTE:**
1. GALVANIZED IN ACCORDANCE WITH ASTM A 384 & A 385 STANDARDS.
  2. WORKING PRESSURE 75-PSI MAX.
  3. MOUNTING POINTS FOR STANDARD SAFETY WARNING FLAGS, (GRAINGER ITEM #4A415, 18" X 18" RED/ORANGE WITH 3/4" DIAMETER DOWEL OR EQUIVALENT), (SUPPLIED WITH ROAD CROSSING)
  4. APPROXIMATE WEIGHT - 1,100 LBS. EMPTY.
  5. TOUCH-UP WITH ORGANIC ZINC-RICH PAINT COMPLYING WITH MIL-P-21035B OR MIL-P-26915C IN MULTIPLE COATS.
  6. CONTACT RAIN FOR RENT ENGINEERING DEPARTMENT FOR APPROVAL BEFORE ANY CHANGE IN DESIGN.

DATE	SCALE
10/3/2006	1:6
DESIGNED BY	C.CANNELLA
CHECKED BY	C.CANNELLA
DRAWN BY	S.HERNANDEZ
JOB NUMBER	1021210
DRAWING NUMBER	107413~1
SHEET	1 OF 1
SHT SIZE	REV NO
D	

REV.NO.	DESCRIPTION	PREV.DWG	BY	DATE