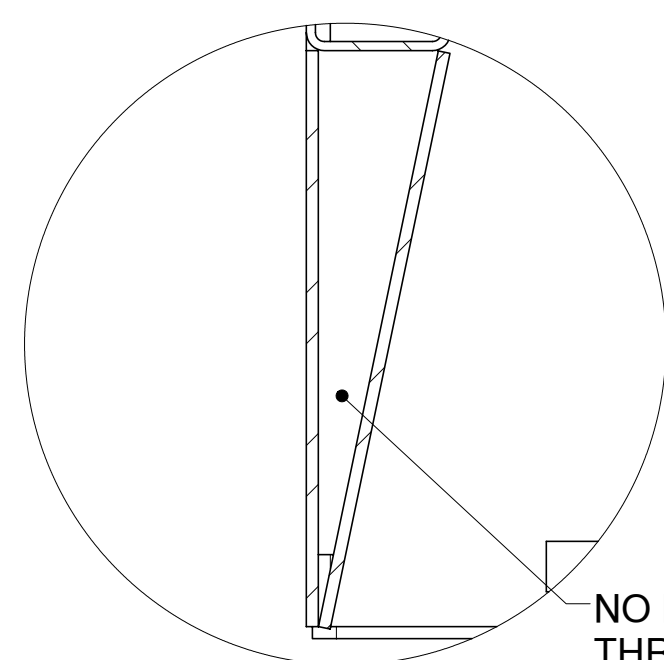
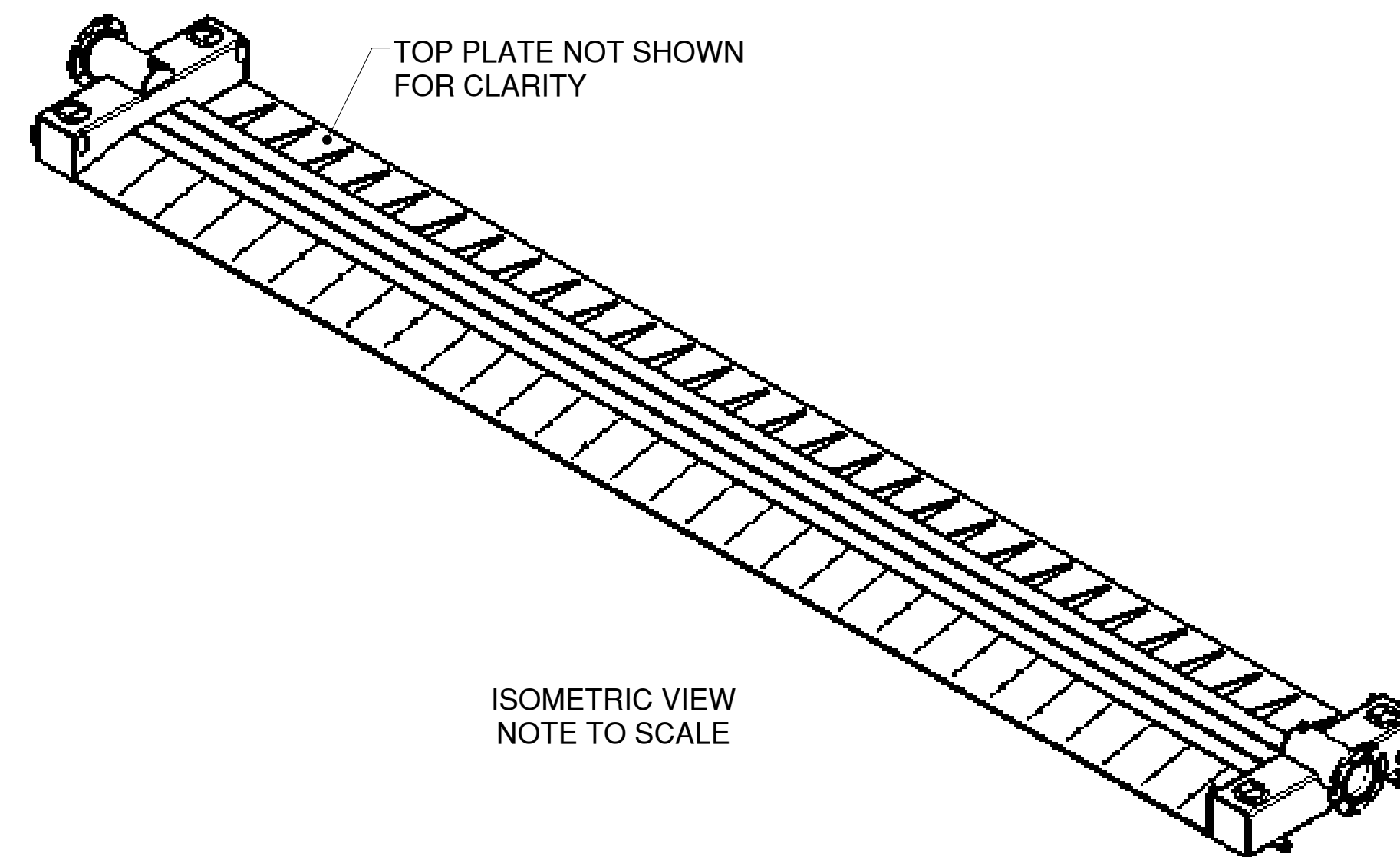
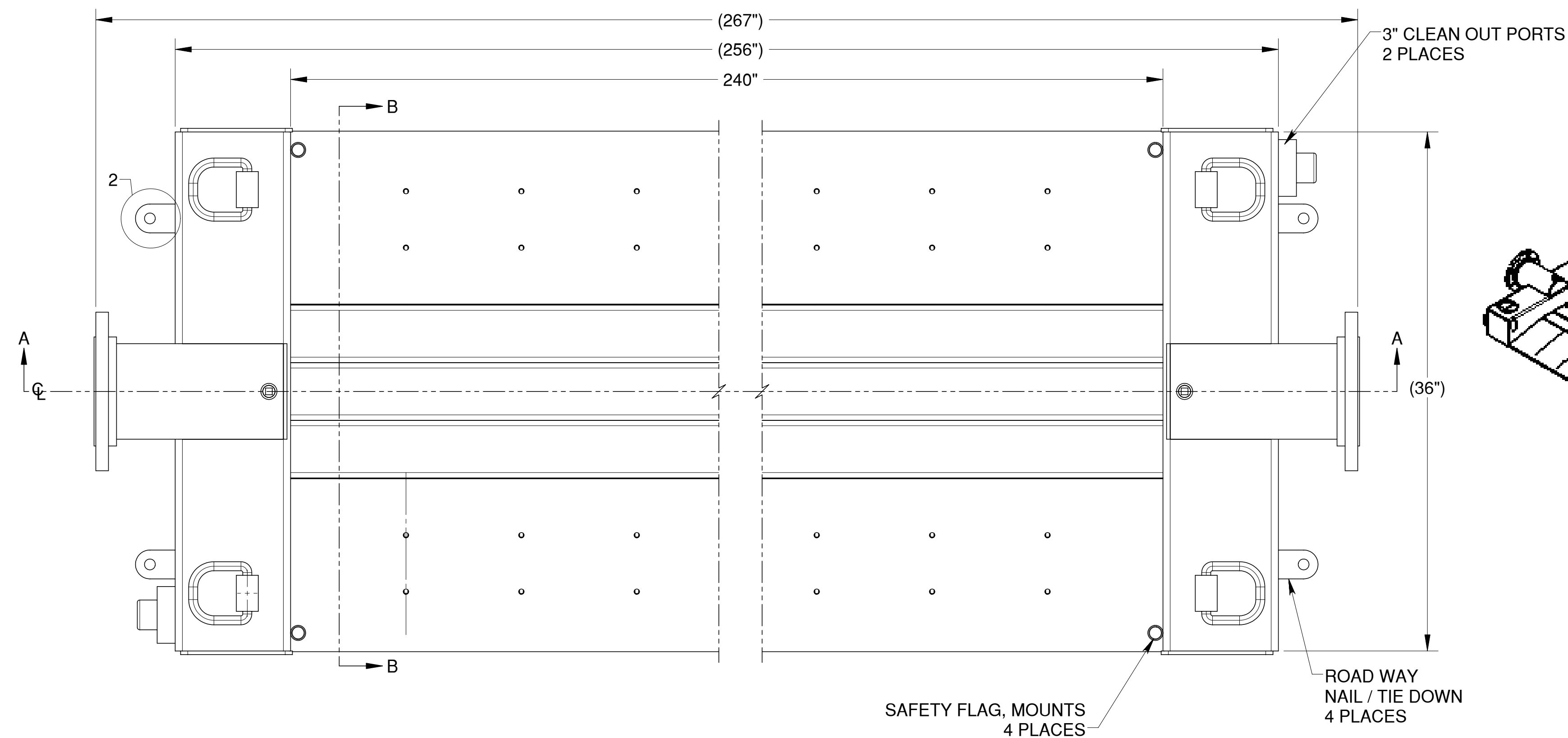
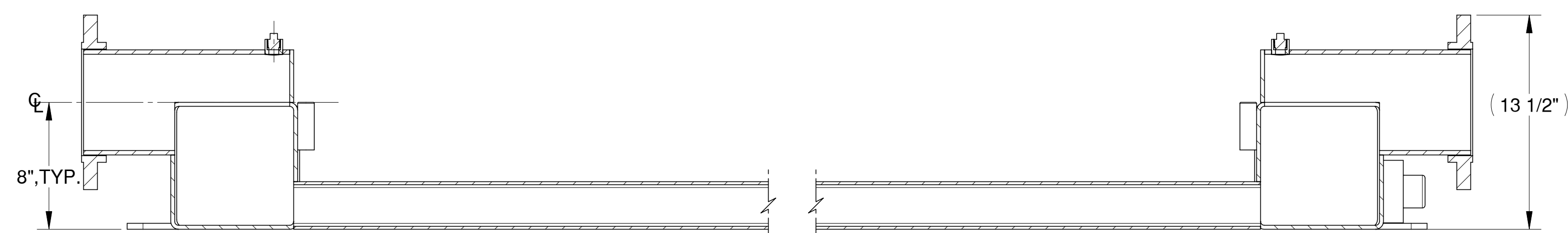


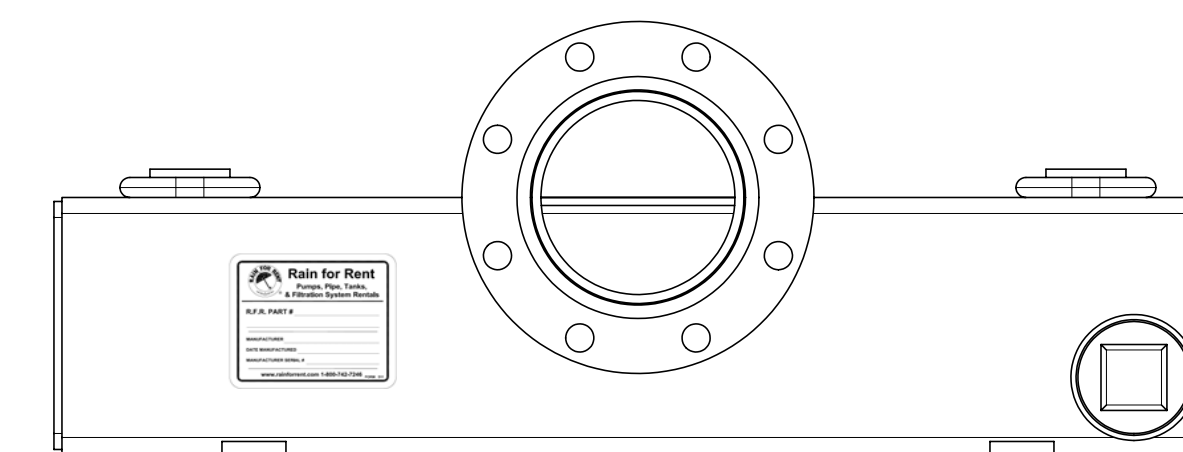
SECTION B-B



DETAIL 1 SCALE 1:4



SECTION A-A

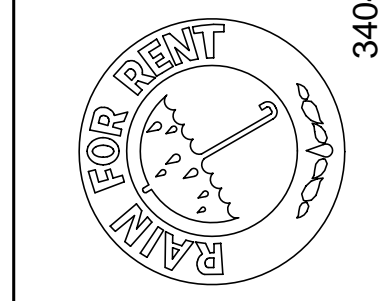


- NOTE:**
1. GALVANIZED IN ACCORDANCE WITH ASTM A 384 & A 385 STANDARDS.
 2. WORKING PRESSURE 75-PSI MAX.
 3. MOUNTING POINTS FOR STANDARD SAFETY WARNING FLAGS, (GRAINGER ITEM #4A415, 18" X 18" RED/ORANGE WITH 3/4" DIAMETER DOWEL OR EQUIVALENT), (SUPPLIED WITH ROAD CROSSING)
 4. APPROXIMATE WEIGHT - 1,600 LBS. EMPTY.
 5. TOUCH-UP WITH ORGANIC ZINC-RICH PAINT COMPLYING WITH MIL-P-21035B OR MIL-P-26915C IN MULTIPLE COATS
 6. CONTACT RAIN FOR RENT ENGINEERING DEPARTMENT FOR APPROVAL BEFORE ANY CHANGE IN DESIGN.

UNLESS OTHERWISE SPECIFIED
 INTERPRET PER ASME Y14.24
 AND Y14.340, Y14.350
 ALL DIMENSIONS ARE IN INCHES
 ALL DIMENSIONS BEFORE PLATING
 MACHINED FILLET RADIUS TO BE .020
 SHEET SCALE IS AS LISTED IN TITLE
 BLOCK UNLESS SPECIFIED
 OTHERWISE
 FRACTIONAL: 1/16
 DECIMALS: .010
 .XX = ±.030
 .X = ±.100
 ANGLES: ±0° .30'

**6"X20' ROAD CROSSING
 W/ ENTRANCE / EXIT RAMPS
 SALES / REFERENCE DRAWING**

**Rain For Rent
 Engineering**
 3404 State Road PO Box 2248 Bakersfield CA 93303



ALL INFORMATION CONTAINED IN OR
 DISCLOSED BY THIS DOCUMENT IS
 CONSIDERED CONFIDENTIAL AND
 PROPRIETARY BY RAIN FOR RENT
 ALL DISCLOSURES OF DESIGN IN-
 FORMATION AND REPRODUCTION OF
 THIS DOCUMENT AND ALL SALES
 RIGHTS ARE EXCLUSIVELY RESER-
 VED BY AND TO RAIN FOR RENT
 AND COMMUNICATION OF THIS IN-
 FORMATION TO OTHERS IS PRO-
 HIBITED WITHOUT THE PRIOR WRIT-
 TEN CONSENT OF RAIN FOR RENT.

DATE	SCALE
10/3/2006	1:6
DESIGNED BY	C.CANNELLA
CHECKED BY	C.CANNELLA
DRAWN BY	S.HERNANDEZ
JOB NUMBER	1021210
DRAWING NUMBER	107413-1_2
SHEET	1 of 1
SHT SIZE	REV NO
D	

REV.NO.	DESCRIPTION	PREV.DWG	BY	DATE